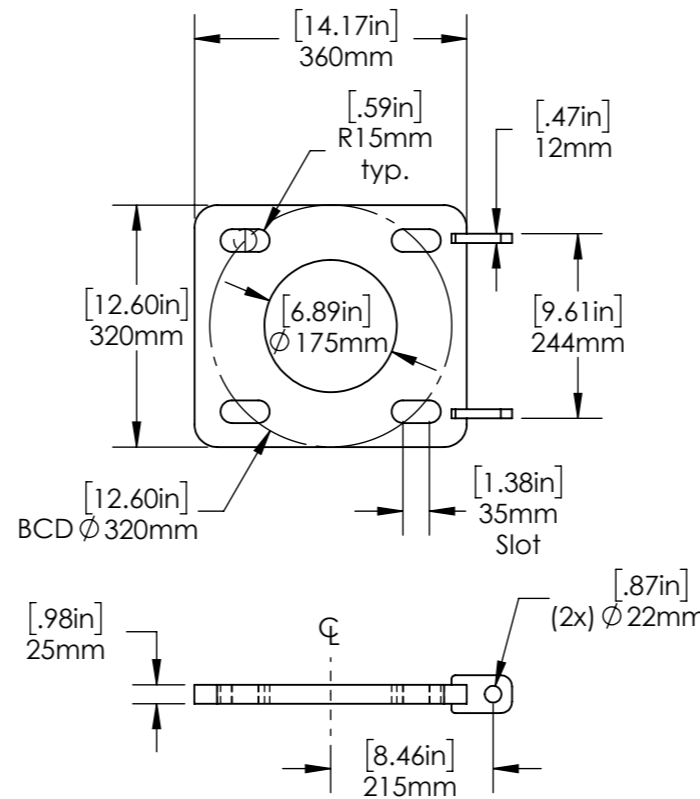


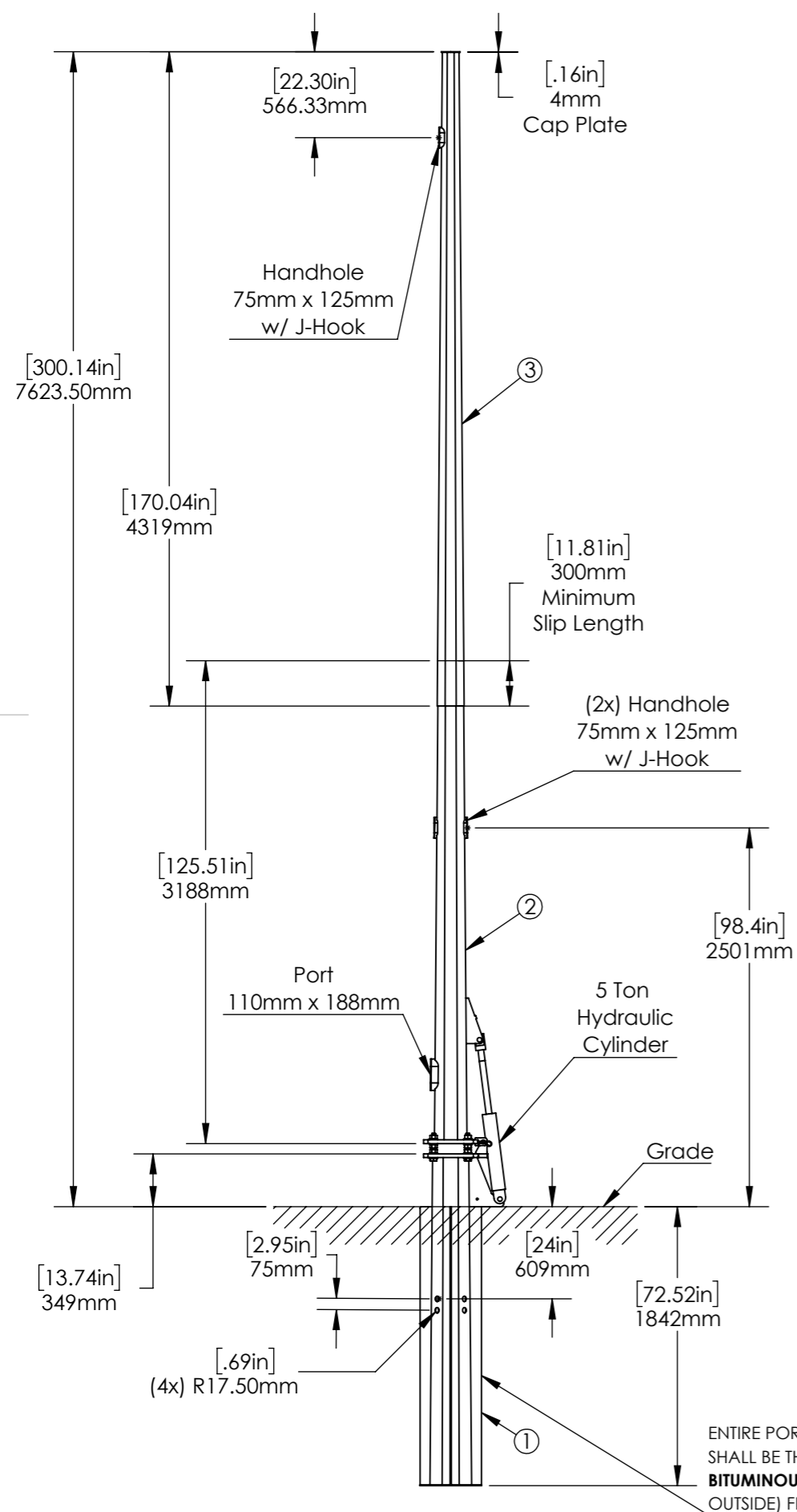
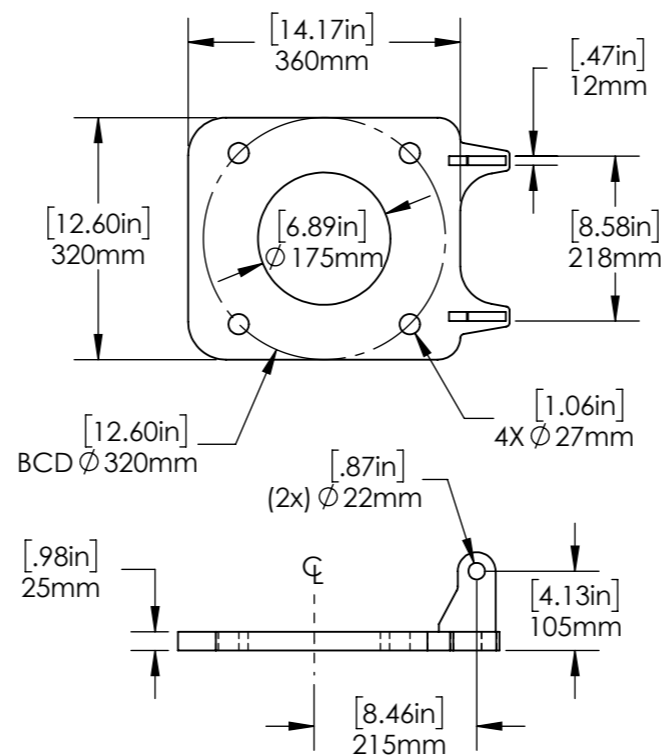
Proprietary rights are included in the information disclosed herein. This information is submitted in confidence and neither the document nor the information disclosed herein shall be reproduced or transferred to other documents for manufacturing or for any other purpose except as specifically authorized in writing by ARE Telecom & Wind.

REVISIONS			
REV.	DESCRIPTION	DATE	APPROVED
A	initial release	11/17/20	MGC
B	Revised base depth to 5.75ft(1753mm), round pole	12/8/20	MGC
C	Increased embedment to 6ft	12/9/20	MGC

Hinge Plate



Baseplate



ENTIRE PORTION OF STEEL EMBEDMENT SHALL BE THOROUGHLY COATED WITH A BITUMINOUS MASTIC MATERIAL (INSIDE & OUTSIDE) FROM GRADE TO BASE 1842mm MIN.

- Survival Wind Speed: 110 mph (49.2 m/s)-(3 sec gust)
 - Exposure C
 - Class II
 - Topo 1
- Design and Welding Codes:
 - TIA-222-G (DS1)
 - AWS D1.1
- Material
 - Pole: ASTM A572 GR55 (or equivalent - Q355B)
 - Baseplate: ASTM A572 GR50 (or equivalent - Q345B)
 - Flange/ Plate: ASTM A572 GR50 (or equivalent - Q345B)
 - Standard Structural Members: A36 (or equivalent - Q235B)
- Deflection: <2% at 60mph (22.5 m/s)
- Pole is 8 sided (optional Round)
- Finish: Hot dip Galvanizing per ASTM A123
- Anchor Bolts: (4x) M24x3 x 165mm Full Thread GR 8.8
 - (Optional) 1-8 x 6.5" Full Thread, ASTM F1554 GR55 or A325
 - Galv. per ASTM F2329
 - (3x) Nut, (4x) Washer (ea.)

9. Pole Section Details

Pole Section	#1(DB)	#2	#3
Thickness (mm)/ (in)	4/ 0.158	4/ 0.158	4/ 0.158
Length (m)/ (ft)	1.885/ 6.18	3.188/ 10.46	4.319/14.17
Top Dia. (mm)/ (in)	240/ 9.45	166/ 6.54	111/ 4.37
Bottom Dia. (mm)/ (in)	270/ 10.63	216/ 8.5	179/ 7.05
Min Slip (mm)/ (in)	NA	NA	300/ 11.8
Weight (kg)/ (lb)	121/ 266	85/ 187	61/ 134

CAD-generated drawing do not manually update

ARE Telecom & Wind
1043 Grand Ave., #213
St Paul, MN 55105
(651) 330 1263

APPROVALS	DATE
DRAWN MGC	11/17/20
CHECKED	
RESP ENG	
MFG ENG	
QUAL ENG	

25ft 3SSJ 5T Hyd DB Pole

CAD file:
Details and dimensions not shown on this drawing can be found in CAD file.

scale NA rev. C size NA sheet 1 of 2

Total Weight: 267 kg (587.5 lb)
Does not include anchor bolts, templates or flange bolts

MATERIAL: See Notes
FINISH: See Notes
DO NOT SCALE DRAWING

Proprietary rights are included in the information disclosed herein. This information is submitted in confidence and neither the document nor the information disclosed herein shall be reproduced or transferred to other documents for manufacturing or for any other purpose except as specifically authorized in writing by ARE Telecom & Wind.

