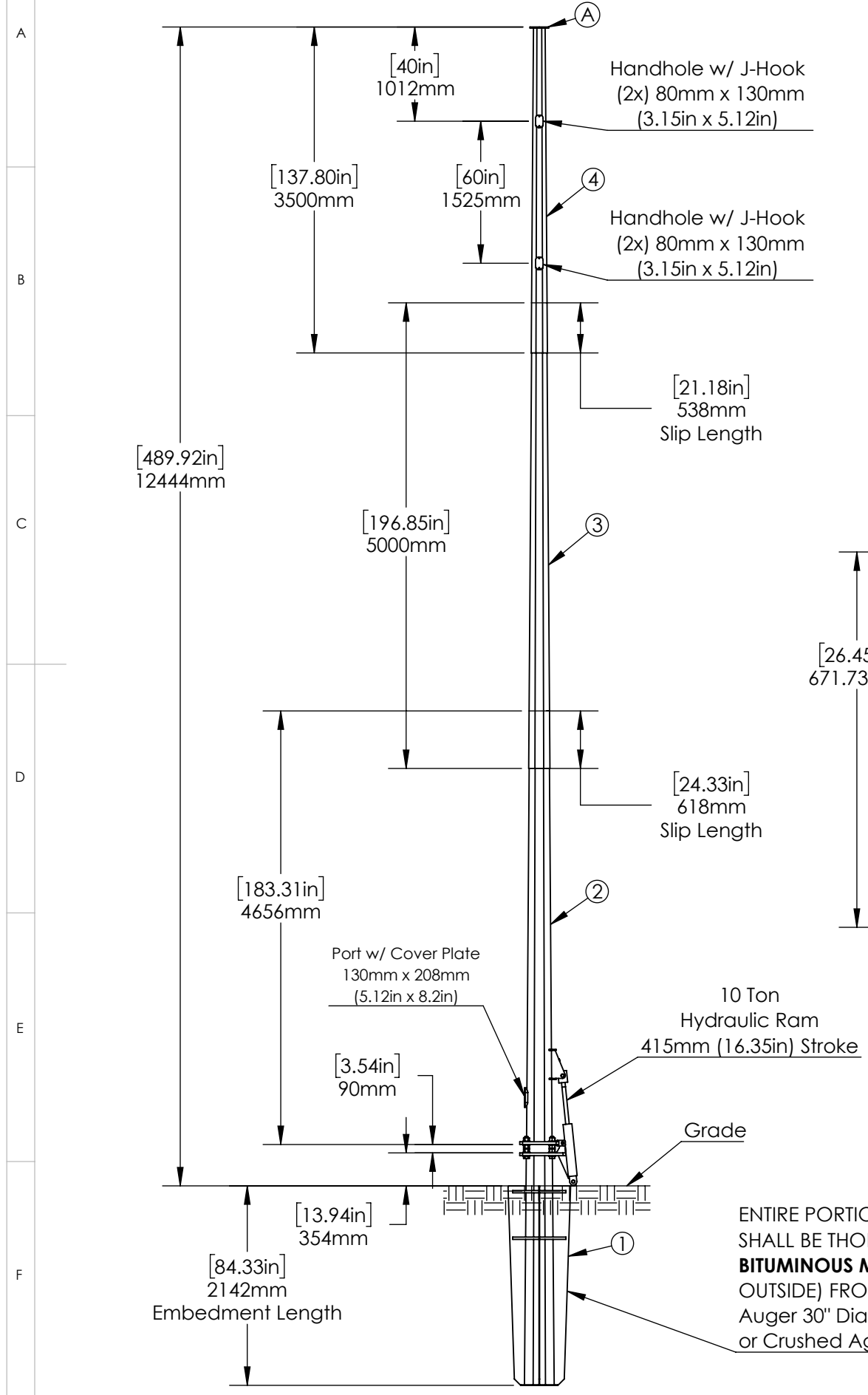
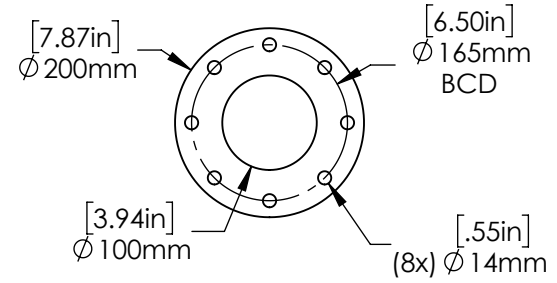


Proprietary rights are included in the information disclosed herein. This information is submitted in confidence and neither the document nor the information disclosed herein shall be reproduced or transferred to other documents for manufacturing or for any other purpose except as specifically authorized in writing by ARE Telecom.

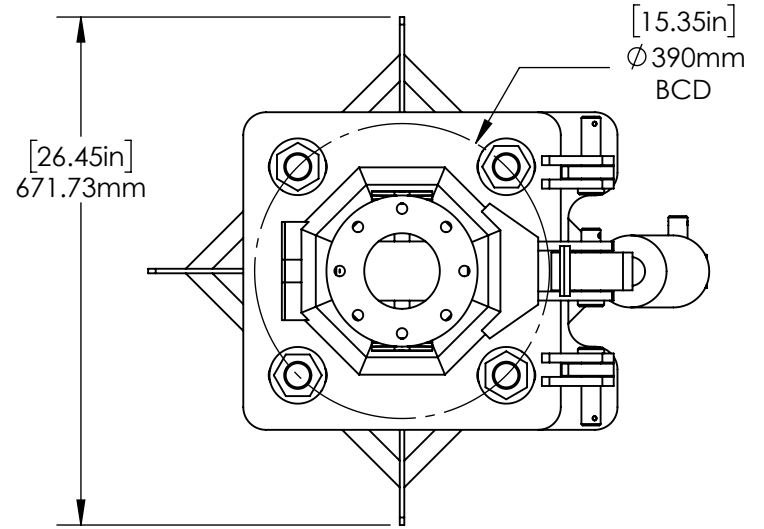
REVISIONS			
REV.	DESCRIPTION	DATE	APPROVED
A	initial release	4/11/23	MGC



A. Flange (12mm/ 0.5in)



Top View



- Design Inputs:
 - Class - Per Code
 - Topo - Per Code
 - Exposure - Per Code
- Survival Wind Speed: 49.2 m/s (110mph) (3 sec gust)
- Design and Welding Codes:
 - TIA-222-G (DS1)
 - AWS D1.1
- Material (equivalent)
 - Pole: Q355B (ASTM A572 GR55)
 - Baseplate/ Hinge Plate: Q355B (ASTM A572 GR55)
 - Top/ Mid Flange: Q355B (ASTM A572 GR55)
- Max Tower Top Weight (84kg/ 185lb)
- Pole has 8 sides
- Finish: Hot dip Galvanizing per ASTM A123
- Flange Bolts: (8x) M12x1.75 x 35mm Grade 8.8
 - Each flange bolt shall have (1x) Nut, (2x) Washer (optional) 1/2-13 x 1 1/2 in Grade A325
- Anchor Bolts: (4x) M36x4 x 210mm Full Thread Grade 8.8
 - Each AB shall have (3x) Nut, (4x) Washer (optional) 1 3/8-6 x 8.25in ASTM F1554 GR55 Full Thread

10. Pole Section Details

Pole Section	#1 (DBT)	#2	#3	#4
Thickness (mm/ in)	5/ 0.197	4/ 0.158	4/ 0.158	4/ 0.158
Length (m/ ft)	2.142/ 7.9	4.656/ 15.28	5.0/ 16.4	3.5/ 11.48
Top Dia. (mm/ in)	280/ 11	210/ 8.27	158/ 6.22	125/ 4.92
Bottom Dia. (mm/ in)	320/ 12.6	274/ 10.79	228/ 8.98	174/ 6.85
Min Slip (mm/ in)			335/ 13.19	255/ 10.04
Max (design) Slip (mm/ in)			618/ 24.33	538/ 21.2

ENTIRE PORTION OF STEEL EMBEDMENT SHALL BE THOROUGHLY COATED WITH A **BITUMINOUS MASTIC** MATERIAL (INSIDE & OUTSIDE) FROM GRADE TO BASE. Auger 30" Diameter Hole Backfill w/ 3000 psi concrete or Crushed Aggregate Compacted to 95% SPD.

Total Weight 573 kg (1261 lb) <small>Does not include anchor bolts, templates or flange bolts</small>	APPROVALS	DATE	12.5m (40ft) 3SSJ Pole 10T Hyd Direct Burial
	DRAWN MGC	4/11/23	
MATERIAL See Notes	RESP ENG		CAD file : Details and dimensions not shown on this drawing can be found in CAD file.
FINISH See Notes	MFG ENG		
DO NOT SCALE DRAWING	QUAL ENG		scale NA rev. A size NA sheet 1 of 1

CAD-generated drawing do not manually update
ARE Telecom + Broadband
 1041 Grand Ave., #213
 St. Paul, MN 55105
 (651) 330-1263
 www.aretelcom.com